

Архангельск (8182)63-90-72  
Астана (7172)727-132  
Астрахань (8512)99-46-04  
Барнаул (3852)73-04-60  
Белгород (4722)40-23-64  
Брянск (4832)59-03-52  
Владивосток (423)249-28-31  
Волгоград (844)278-03-48  
Вологда (8172)26-41-59  
Воронеж (473)204-51-73  
Екатеринбург (343)384-55-89  
Иваново (4932)77-34-06

Ижевск (3412)26-03-58  
Иркутск (395)279-98-46  
Казань (843)206-01-48  
Калининград (4012)72-03-81  
Калуга (4842)92-23-67  
Кемерово (3842)65-04-62  
Киров (8332)68-02-04  
Краснодар (861)203-40-90  
Красноярск (391)204-63-61  
Курск (4712)77-13-04  
Липецк (4742)52-20-81  
Киргизия (996)312-96-26-47

Магнитогорск (3519)55-03-13  
Москва (495)268-04-70  
Мурманск (8152)59-64-93  
Набережные Челны (8552)20-53-41  
Нижний Новгород (831)429-08-12  
Новокузнецк (3843)20-46-81  
Новосибирск (383)227-86-73  
Омск (3812)21-46-40  
Орел (4862)44-53-42  
Оренбург (3532)37-68-04  
Пенза (8412)22-31-16  
Казахстан (772)734-952-31

Пермь (342)205-81-47  
Ростов-на-Дону (863)308-18-15  
Рязань (4912)46-61-64  
Самара (846)206-03-16  
Санкт-Петербург (812)309-46-40  
Саратов (845)249-38-78  
Севастополь (8692)22-31-93  
Симферополь (3652)67-13-56  
Смоленск (4812)29-41-54  
Сочи (862)225-72-31  
Ставрополь (8652)20-65-13  
Таджикистан (992)427-82-92-69

Сургут (3462)77-98-35  
Тверь (4822)63-31-35  
Томск (3822)98-41-53  
Тула (4872)74-02-29  
Тюмень (3452)66-21-18  
Ульяновск (8422)24-23-59  
Уфа (347)229-48-12  
Хабаровск (4212)92-98-04  
Челябинск (351)202-03-61  
Череповец (8202)49-02-64  
Ярославль (4852)69-52-93

<https://primus.nt-rt.ru> || [pmw@nt-rt.ru](mailto:pmw@nt-rt.ru)

## HIGHLY EFFICIENT SOFT MOUNTED WASHER EXTRACTORS

PC100

45KG



### FEATURES

- Hard-mount, medium spin, up to 200 G-factor
- Stainless steel front panel & door, skin plate side panels
- Robotically welded frame
- Stainless steel drum and tub
- Control: Xtronic OPL – easy to use microprocessor
- 4-compartment soap box
- One piece cast bearing housing: long life span
- Heavy duty variable speed motor: smooth start and stop
- Patented “Water Guardian”: detects leaking valves
- Durable door latch and lock mechanism
- Large door opening: easy loading & unloading

### OPTIONS

- Xtronic VEND – 4 cycles
- Stainless steel side panels
- Liquid soap pumps

## Xtronic OPL



Customize your washing power with the ability to choose between three water levels while eliminating wasted water with advanced leak detection. PC programming, audit data retrieval and advanced diagnostics save time, while 200 G-Force extraction speeds reduce drying time and utility consumption.

## Xtronic VEND



For laundry managers requiring basic management options, Xtronic VEND offers a 100 or 200 G-Force extraction speed, 4 cycle selections, 30 water levels, 2 cycle modifiers (Extra wash, Extra rinse) and manual programming.

MODEL		PC100																			
CONTROL OPTION		Xtronic OPL Xtronic VEND																			
CAPACITY - kg		45																			
OVERALL WIDTH - mm		1054																			
*OVERALL DEPTH - mm		1336																			
OVERALL HEIGHT - mm		1426																			
CYLINDER DIAMETER - mm		916																			
CYLINDER DEPTH - mm		610																			
CYLINDER VOLUME - liters		434																			
DOOR OPENING SIZE - mm		470																			
DOOR BOTTOM TO FLOOR - mm		455																			
WATER INLET CONNECTION - mm		19																			
DRAIN DIAMETER - mm		76																			
DRAIN HEIGHT TO FLOOR - mm		145																			
MOTOR POWER CONSUMPTION - hp (kw)		5 (3.7)																			
TOTAL # OF SPEEDS		6, 9																			
CYLINDER SPEEDS - RPM (G-FORCE)		<table border="1"> <tr> <td>Gentle</td> <td>28 (0.4)</td> </tr> <tr> <td>Wash</td> <td>39 (.8)</td> </tr> <tr> <td>Distribution</td> <td>70 (2.5)</td> </tr> <tr> <td>Very Low</td> <td>230 (27)</td> </tr> <tr> <td>Low</td> <td>396 (80)</td> </tr> <tr> <td>Medium</td> <td>443 (100)</td> </tr> <tr> <td>** High</td> <td>495 (120)</td> </tr> <tr> <td>**Very High</td> <td>542 (150)</td> </tr> <tr> <td>**Ultra High</td> <td>568 (165)</td> </tr> </table>		Gentle	28 (0.4)	Wash	39 (.8)	Distribution	70 (2.5)	Very Low	230 (27)	Low	396 (80)	Medium	443 (100)	** High	495 (120)	**Very High	542 (150)	**Ultra High	568 (165)
Gentle	28 (0.4)																				
Wash	39 (.8)																				
Distribution	70 (2.5)																				
Very Low	230 (27)																				
Low	396 (80)																				
Medium	443 (100)																				
** High	495 (120)																				
**Very High	542 (150)																				
**Ultra High	568 (165)																				
*** VOLTAGE/ CIRCUIT BREAKER - FLA	X	200-208/220-240/50/60/1/3	20-16 (1 Ph) 15-10 (3 Ph)																		
	Q	200-208/220-240/50/60/3	15-10																		
	N	440-480/50/60/3	15-7																		
	P	380-415/50/60/3	15-7																		
SHIPPING DIMENSIONS APPROX. - mm		Width	1118																		
		Depth	1486																		
		Height	1488																		
NET WEIGHT - kg		572																			
SHIPPING WEIGHT - kg		594																			
SLAT CRATE SHIPPING WEIGHT - kg		651																			
****AGENCY APPROVALS		c_ETL <sub>us</sub>																			

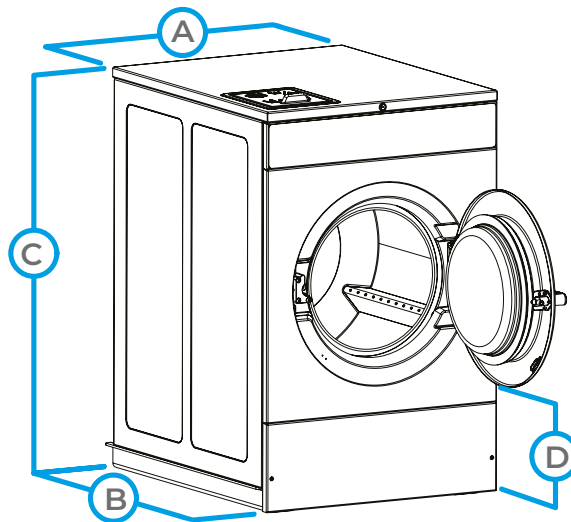
\*Overall depth includes vacuum breaker to door handle.

\*\*High, Very High, and Ultra High Spin Speeds are available on the Xtronic OPL models only.

\*\*\*Circuit breaker and amp draw data shown are for models without electric heat. Consult factory for other configurations. Manufacturer strongly recommends using a circuit breaker instead of fuses. Use 3-pole circuit breakers for 3-phase machines.

\*\*\*\*Agency approvals may vary depending on configuration. Consult factory for details. Steam connection requires 1/2" N.P.T.

For the most accurate information, the installation guide should be used for all design and construction purposes. Due to continuous product improvements, design and specifications subject to change without notice. The quality management system of Alliance Laundry Systems has been registered to ISO 9001.



MODEL	PC100
A. OVERALL WIDTH - mm	1054
B. *OVERALL DEPTH - mm	1336
C. OVERALL HEIGHT - mm	1426
D. DOOR BOTTOM TO FLOOR - mm	455

Архангельск (8182)63-90-72  
Астана (7172)727-132  
Астрахань (8512)99-46-04  
Барнаул (3852)73-04-60  
Белгород (4722)40-23-64  
Брянск (4832)59-03-52  
Владивосток (423)249-28-31  
Волгоград (844)278-03-48  
Вологда (8172)26-41-59  
Воронеж (473)204-51-73  
Екатеринбург (343)384-55-89  
Иваново (4932)77-34-06

Ижевск (3412)26-03-58  
Иркутск (395)279-98-46  
Казань (843)206-01-48  
Калининград (4012)72-03-81  
Калуга (4842)92-23-67  
Кемерово (3842)65-04-62  
Киров (8332)68-02-04  
Краснодар (861)203-40-90  
Красноярск (391)204-63-61  
Курск (4712)77-13-04  
Липецк (4742)52-20-81  
Киргизия (996)312-96-26-47

Магнитогорск (3519)55-03-13  
Москва (495)268-04-70  
Мурманск (8152)59-64-93  
Набережные Челны (8552)20-53-41  
Нижний Новгород (831)429-08-12  
Новокузнецк (3843)20-46-81  
Новосибирск (383)227-86-73  
Омск (3812)21-46-40  
Орел (4862)44-53-42  
Оренбург (3532)37-68-04  
Пенза (8412)22-31-16  
Казахстан (772)734-952-31

Пермь (342)205-81-47  
Ростов-на-Дону (863)308-18-15  
Рязань (4912)46-61-64  
Самара (846)206-03-16  
Санкт-Петербург (812)309-46-40  
Саратов (845)249-38-78  
Севастополь (8692)22-31-93  
Симферополь (3652)67-13-56  
Смоленск (4812)29-41-54  
Сочи (862)225-72-31  
Ставрополь (8652)20-65-13  
Таджикистан (992)427-82-92-69

Сургут (3462)77-98-35  
Тверь (4822)63-31-35  
Томск (3822)98-41-53  
Тула (4872)74-02-29  
Тюмень (3452)66-21-18  
Ульяновск (8422)24-23-59  
Уфа (347)229-48-12  
Хабаровск (4212)92-98-04  
Челябинск (351)202-03-61  
Череповец (8202)49-02-64  
Ярославль (4852)69-52-93